



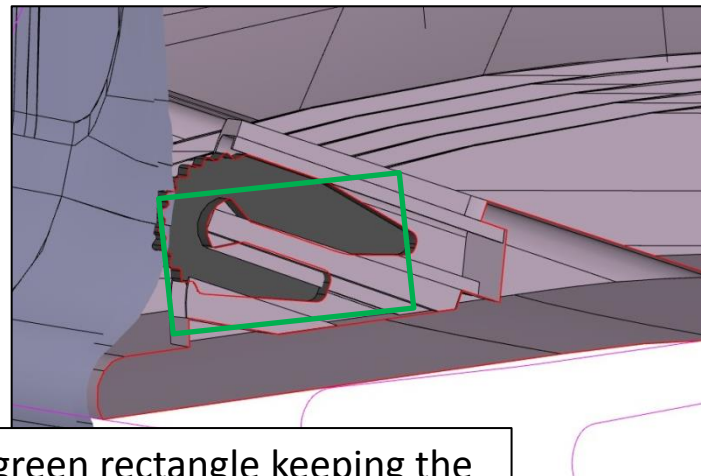
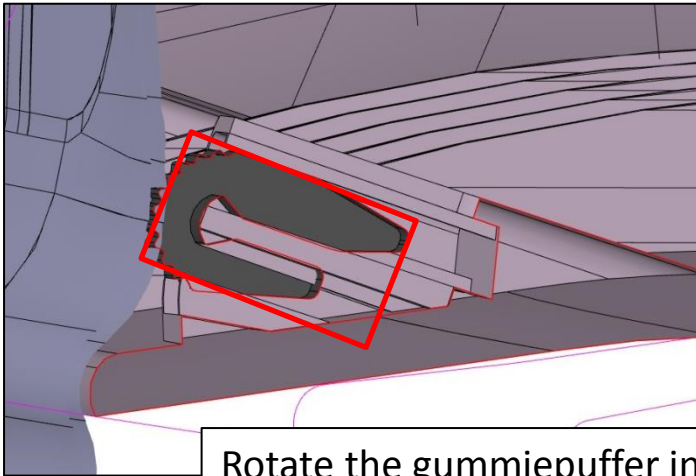
ANÁLISIS DE FACTIBILIDAD

Project: SE376 Revestimiento inferior Porton

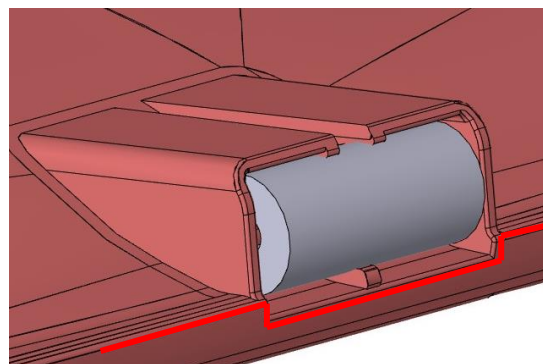
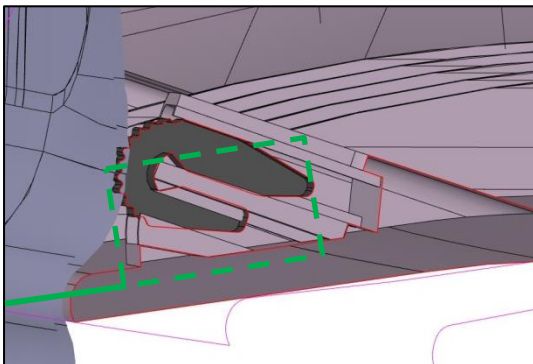


Gummies issue

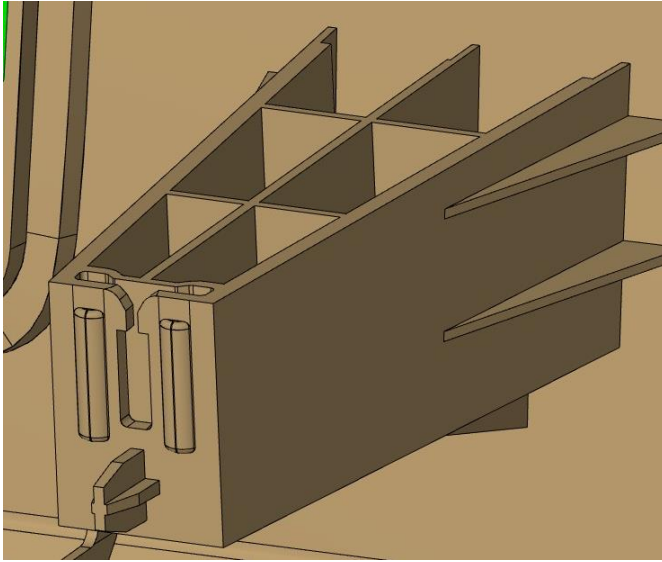
Please, try to perform a proposal to avoid the slides to the gummiepuffers



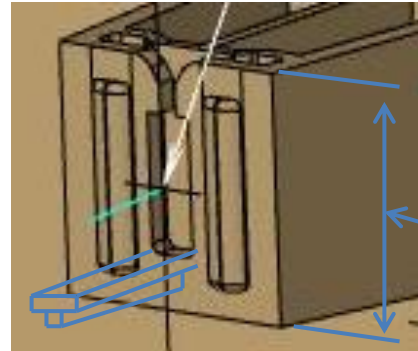
Rotate the gummiepuffer into the green rectangle keeping the clash and try to sink the housing as much as possible, like in Q3



Gummies issue



Remember to reduce the clip housing to allow the slide construction. Report already sent. Try to implement a centering boss (Y) without increasing the depth.



Do not increase