

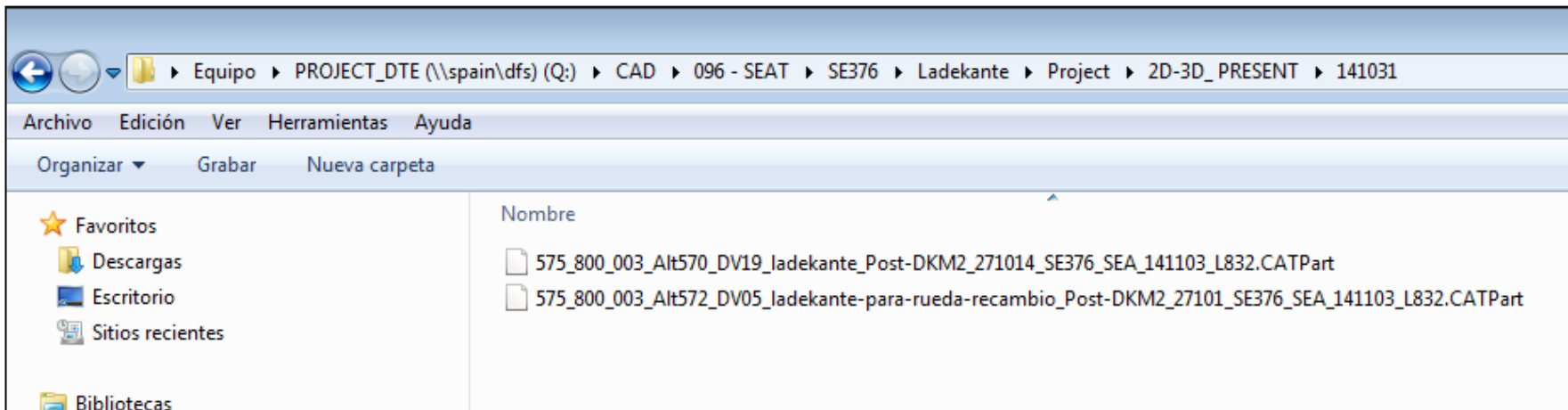


3D development progress

Project: SE376 LADEKANTE



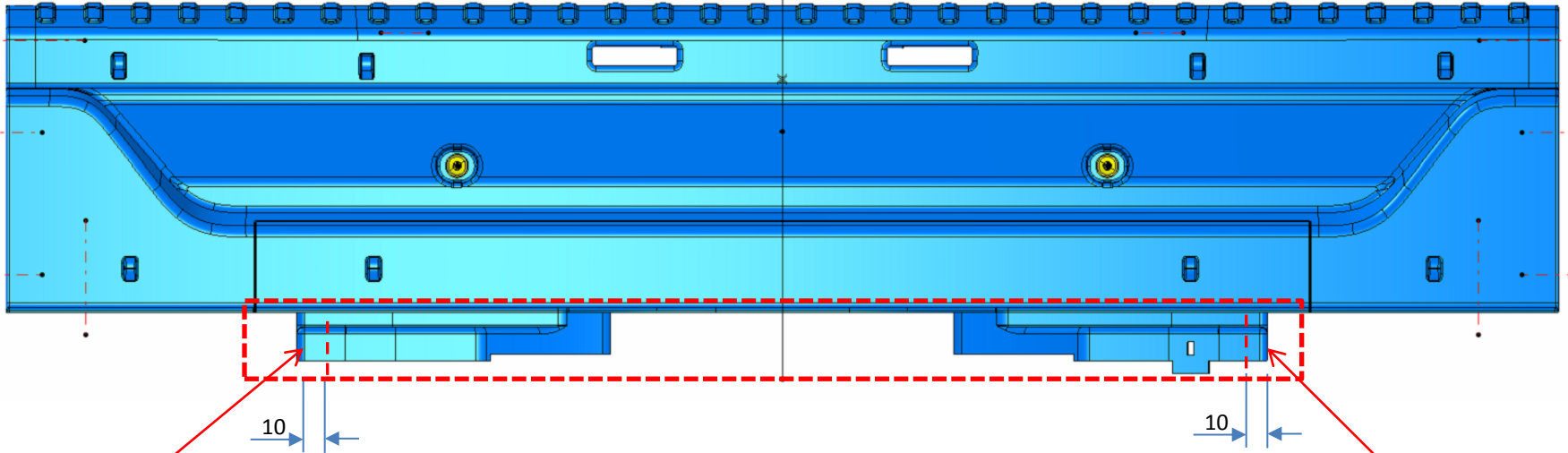
1) Please, update the geometry (both parts) for Ladekante SE376 using the information downloaded on 14/11/03



2) After updating the strak, then include the geometry inside the red square. File for geometry reference:

Q:\CAD\096 - SEAT\SE376\Ladekante\Project\2D-3D_PREVIOUS\140730

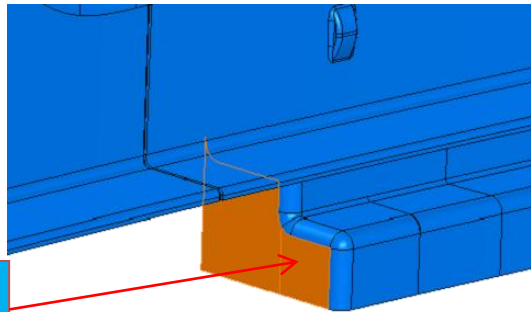
575_863_459__DMU_EN_015__LADEKANTE__POLARIS__30072014.CATPart

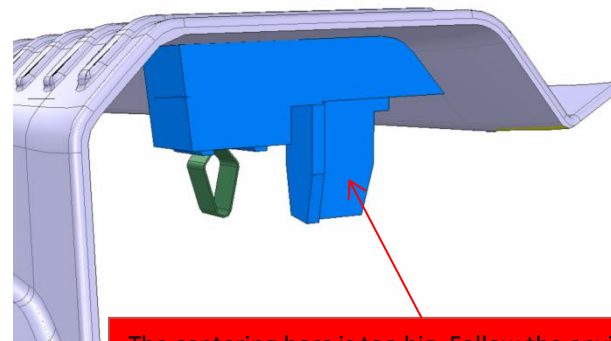
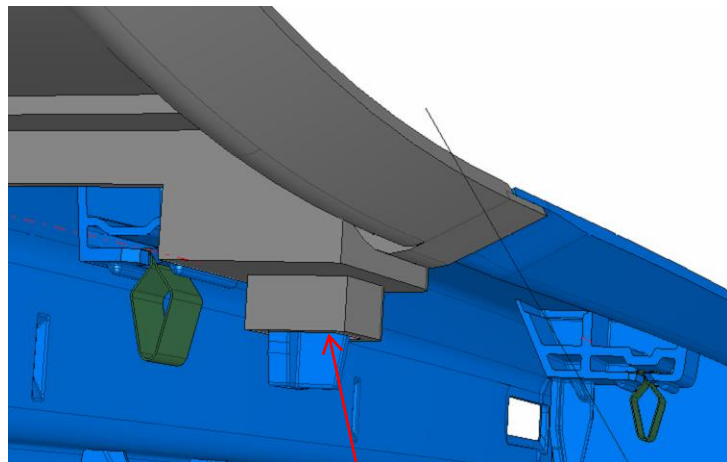


Modify this wall 10mm in Y

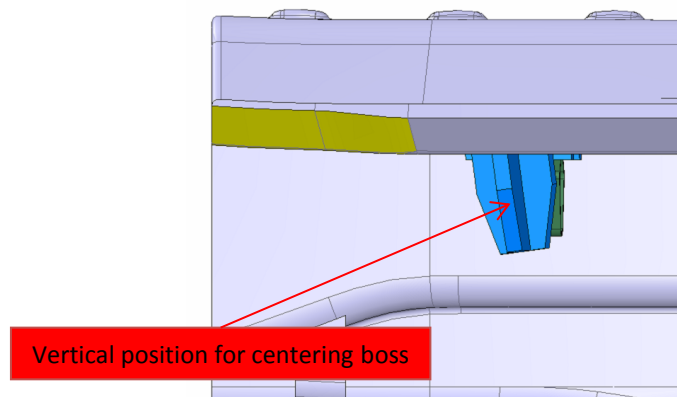
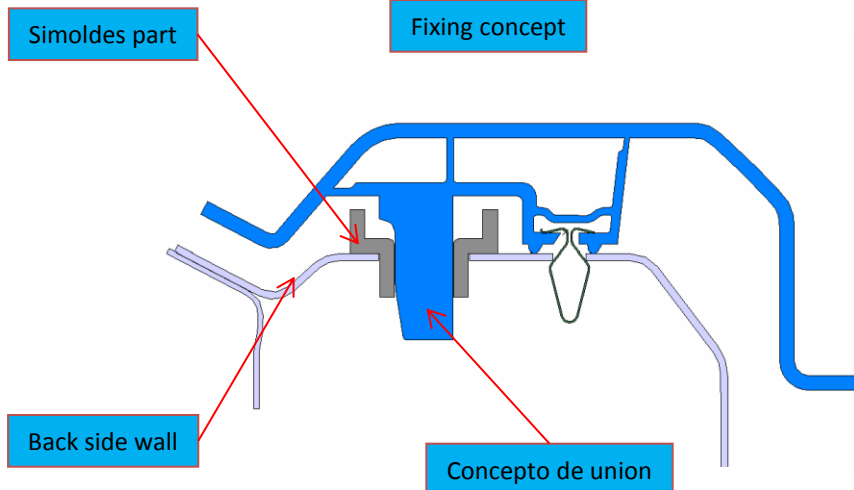
Modify this wall 10mm in Y

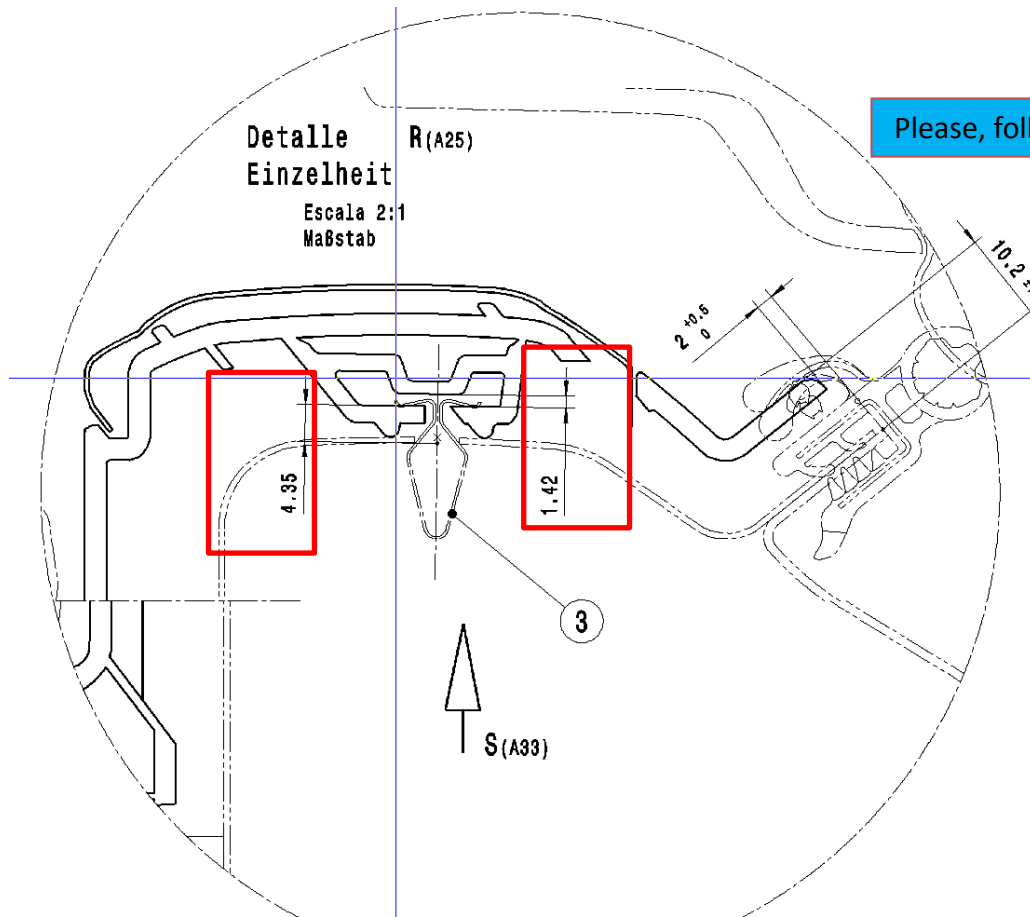
Modify this wall 10mm. Both sides





The centering boss is too big. Follow the environment
And follow the fixing concept





Please, follow these functional measures for clips

File name:

010-575_800_003_Alt570_DV17_ladekante_DKM2_190914_SE376_ACC_141020_A001.CATPart

Use this file for stoppers position

